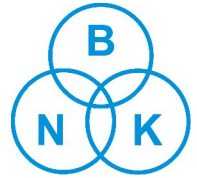


Obonok Technologies



Blu-Wire™ T3-XP EXTRA PERFORMANCE

1x3 HDMI Transmitter

Enabling High Definition—Everywhere!

Features

- Extends / distributes HDMI + HDCP over single UTP (CatX)
- Three RJ-45 output connectors plus HDMI Out for cascading or local HDTV
- AUX port for adding control signals: IR, USB, RS-232, CEC
- Extension to 200' / 61m or 2000' / 610m via up to 10 daisy-chained receivers
- Auto Gain / Auto EQ = adjustment-free



Obonok Technologies designs, develops and produces the Blu-Wire™ Series, the world's leading technology for HDMI signal distribution over category cable. The Blu-Wire T3-XP Transmitter provides a cost-effective and installer-friendly method of extending HDMI plus HDCP signals along up to three UTP (unshielded twisted pair) cables, within a radius of up to 200 feet for 1080i, or 150 feet for 1080p or WUXGA resolution.

Obonok's Blu-Wire Series is the only HDMI extension product line featuring multi-output transmitters, up to 2,000-ft. / 610m total range via dual daisy-chain multi-output receivers, NO adjustments for ease of installation and maintenance, and full 1080p + HDCP performance over SINGLE UTP CatX cable. Applications include retail HDTV display, digital signage and conferencing.

Obonok Technologies

16192 Coastal Highway
Lewes, DE 19958

Phone: 512-299-8424

Website: www.obonok.com

E-mail: sales@obonok.com

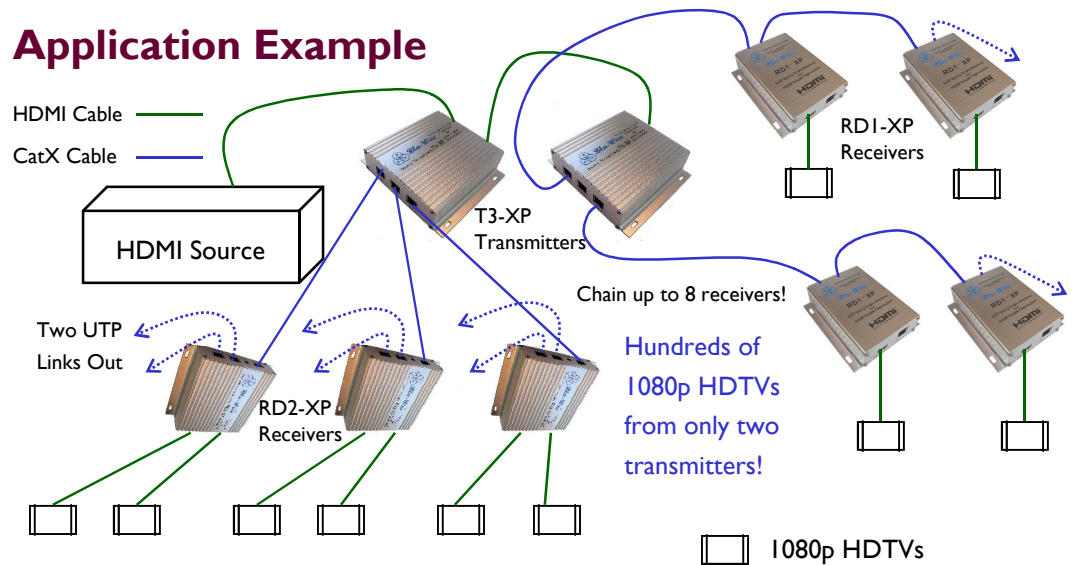
Blu-Wire™

T3-XP



1x3 HDMI Transmitter / Distribution Hub

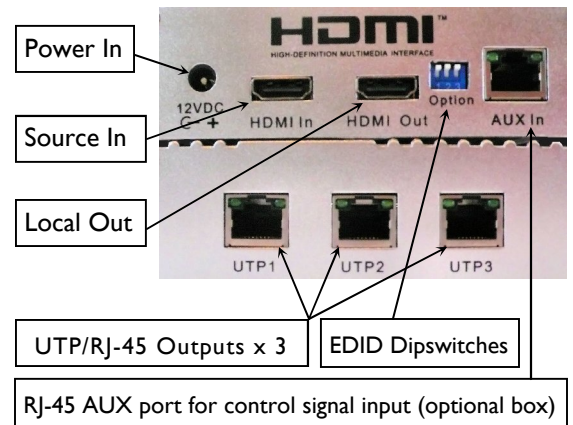
Application Example



Specifications

- Total Bandwidth: 6.6 Gbps
- Maximum Resolution: 1080p / 1920 x 1200
- Maximum Transmission Distance (to first receiver): 200 ft. / 61m @ 1080i
150 ft. / 46m @ 1080p
- HDMI Connectors (2): Type A 19-pin F
- Link Connectors (3): RJ-45 F
- AUX port (1): RJ-45 F, future control use
- Power Supply: 12V DC (included)
- Power Consumption: 6 Watts (max.)
- Operating Temperature: 0C to 50C
- Storage Temperature: -40C to 85C
- HDMI Specifications Supported: 1.1, 1.2 & 1.3
- HDCP Specifications Supported: 1.1, 1.2 & 1.3
- Cable Compatibility: Single, standard Cat5e/6/7 (Cat6 or Cat7 required for 1080p applications)
- Gain/EQ: Automatic / no adjustments needed

Connections



- Dimensions: 128mm L x 118mm W (not including mount wings) x 36mm H
- Patents Pending: U.S. 60956694 and 60968046

Recommended UTP Cables

- Obonok HD Primer 0668 Cat6
- Belden Home Choice 2510 Cat6
- Shaxon UL725-8 Cat6
- Belden 1872A Cat6
- Belden 7988R Cat5e (Cat6 highly recommended for 1080p usage)

Obonok Technologies

16192 Coastal Highway
Lewes, DE 19958

Phone: 512-299-8424

Website: www.obonok.com

E-mail: sales@obonok.com

